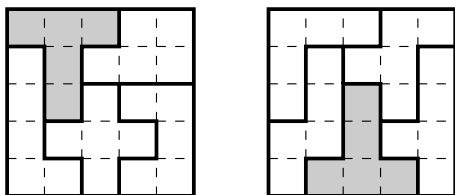
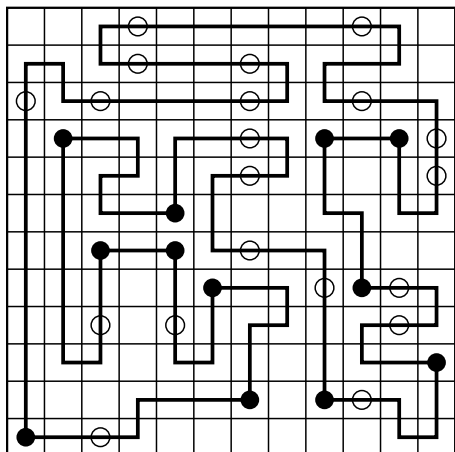


Part III - Solutions

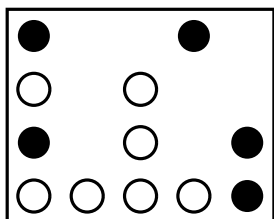
1. Pentaminoes



2. Pearls (Masyu)



3. Five Circles



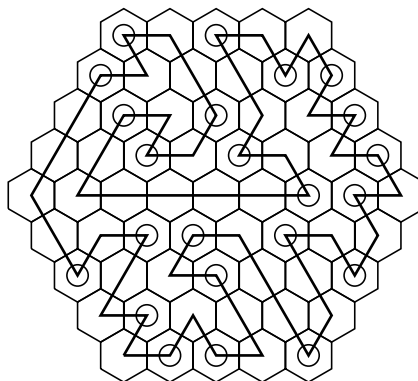
4. Mastermindoku

1	9	2	8	4	6
8	2	4	6	1	9
4	6	1	9	2	8
9	1	6	2	8	4
2	8	9	4	6	1
6	4	8	1	9	2

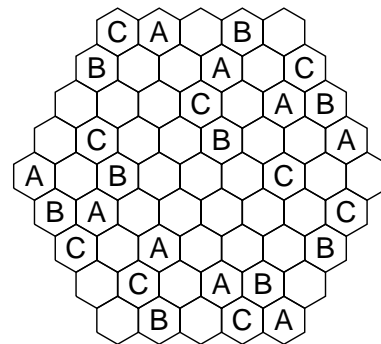
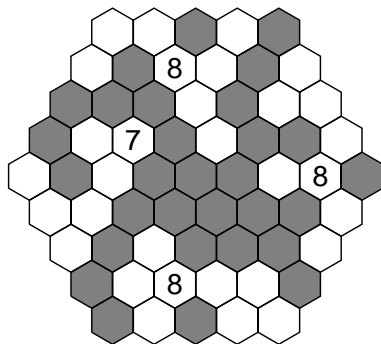
5. Unequal Skyscrapers

	<4	>1	>4	<5	>3	<3	
<5	6	3	2	5	1	4	>2
<6	4	5	1	6	2	3	<3
<5	2	4	3	1	5	6	<3
<3	5	1	4	3	6	2	<5
<4	3	6	5	2	4	1	>3
>2	1	2	6	4	3	5	<5
	>3	>1	<6	<5	>2	<4	

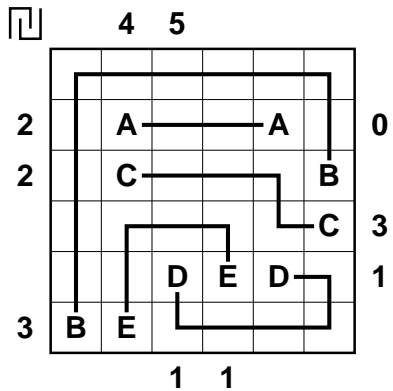
6. Hex Alternate Corners



7. Easy Islands



8. ABC Connect + Worms



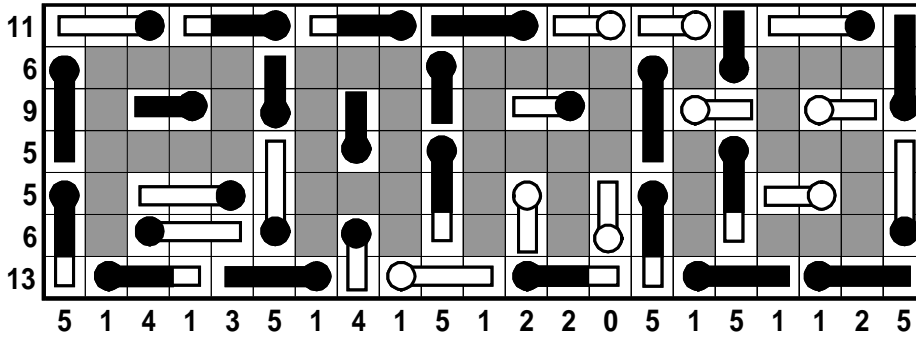
9. Blackout Math Optimizer

$$5 \ 5 \ 2 \times \ 2 \ \blacksquare \ + \ \blacksquare \ 8 \ 9 \ 3 \ + \ 1 \ 1 \ = \ 2 \ 0 \ 0 \ 8$$

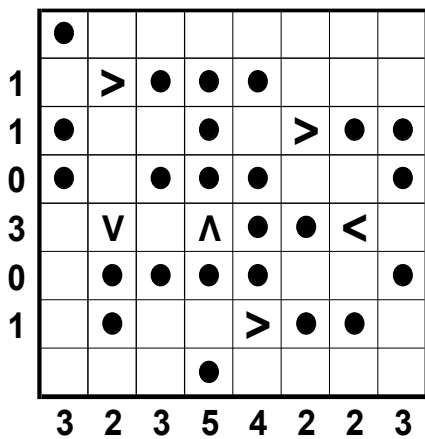
$$6 \ \blacksquare \times \ 4 \ 7 \ 5 \ + \ 5 \ 0 \ - \ \blacksquare \ 8 \ 9 \ 2 \ = \ 2 \ 0 \ 0 \ 8$$

$$6 \ 9 \ 7 \times \ 5 \ \blacksquare \ 1 \ - \ \blacksquare \ 3 \ 3 \ 5 \ 3 \ 9 \ = \ 2 \ 0 \ 0 \ 8$$

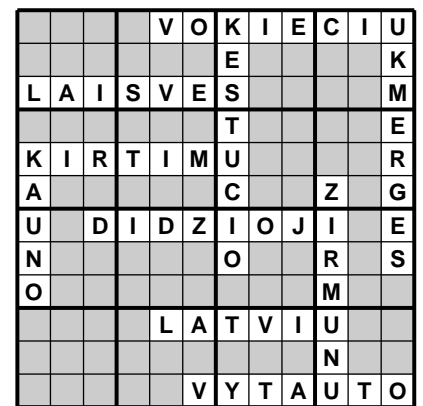
10. Paris brûle-t-il ? (Matches)



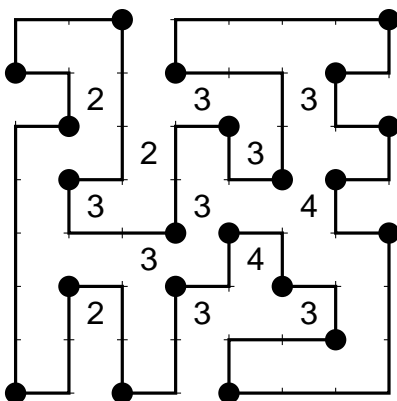
11. Eiffel Tower



12. Crossword Pieces



13. Alternate Corners + Fences Posts



Puzzle authors: Jean-Louis Legrand (puzzles #2, 3, 4, 8, 10, 11, 12, 13), Michel Criton (puzzles #1, 9), Denis Auroux (puzzles #5, 6, 7).